

**APPLICATION:** 3 Axle 4S3M SIDE/AXLE WABCO ABS

**PART #:** PAK4S3MSA-3-W1

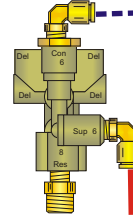
**CONTENTS:** Glad hand assemblies

- Air tank with installed drain valve and plugged unused ports
- Air tank mounting kit with pads, bolts, washers and lock nuts
- Brake valve(s) are installed and include push to connect fittings
- Hoses with swivel hose ends are installed to valve(s)
- Four speed sensors, sensor bushings and sensor extensions
- WABCO ABS power cord
- Hose separators and sensor cable retainers

OPTIONAL SYSTEMS

**PAK4S3MSA-3-W5**

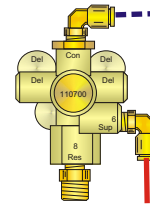
SEALCO SPRING BRAKE VALVE



DA4201 ( 110500) SB PRIORITY

**PAK4S3MSA-3-W7**

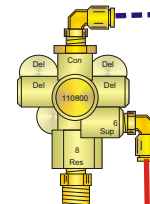
SEALCO SPRING BRAKE VALVE



DA4201A ( 110700) SVC PRIORITY

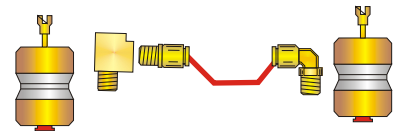
**PAK4S3MSA-3-W8**

SEALCO SPRING BRAKE VALVE



DA4201B ( 110800) SB PRIORITY

SUPPLIED WITH TWO SPRING BRAKE CROSSOVER KITS



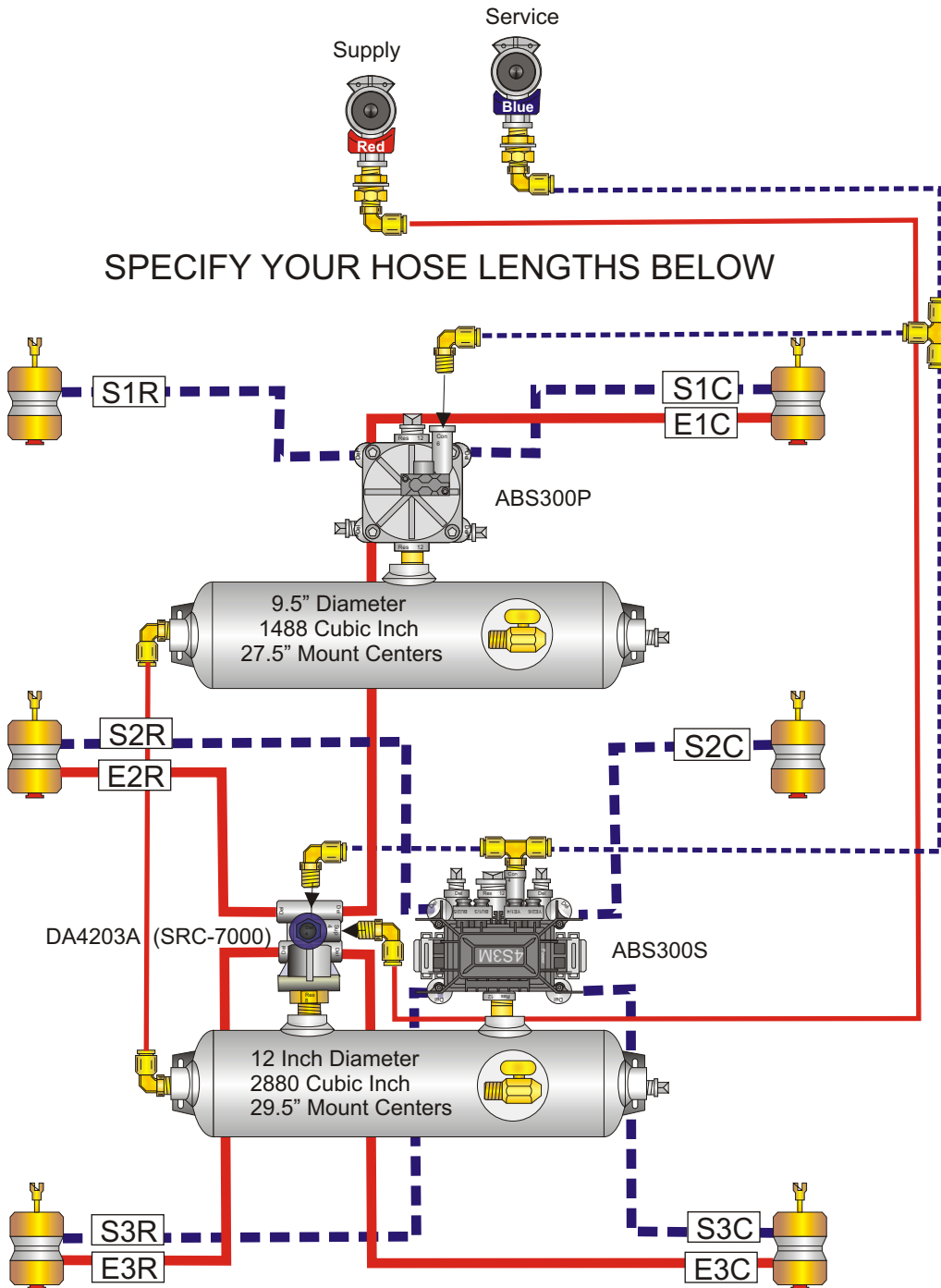
**SPECIFY HOSE LENGTH IN INCHES EMERGENCY:**

E1R	E1C
E2R	E2C
E3R	E3C

**SERVICE:**

S1R	S1C
S2R	S2C
S3R	S3C
S4R	S4C

— Service Hose     — Supply Hose  
- - - Service Tube     - - - Supply Tube



SPECIFY YOUR HOSE LENGTHS BELOW

**Specifications:**

Hoses meet J1402 & JT106 specifications and are 3/8 ID unless otherwise noted. Reservoirs meet J10B specifications  
 Pipe fittings are brass or plated SH80 steel. Push-in style 3/8 tube fittings standard. ABS Electronics pre-tested before shipment.